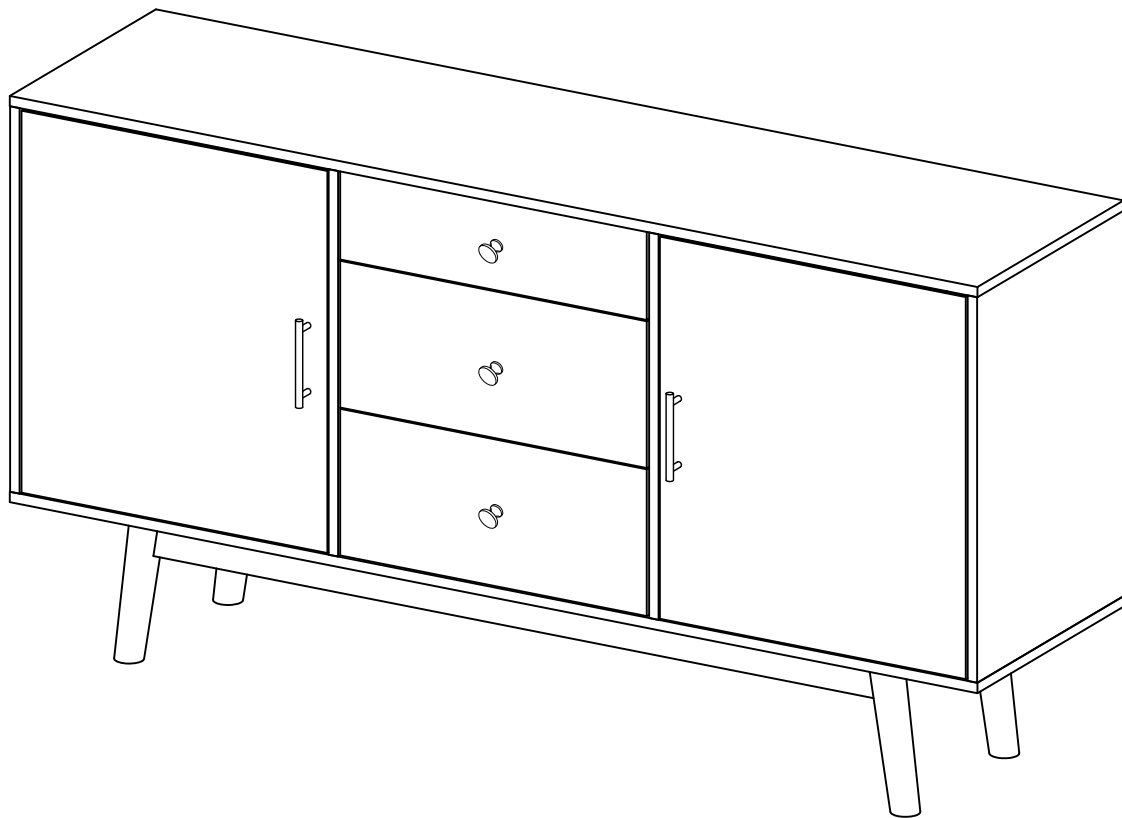


**W** Walker<sup>®</sup>  
Edison  
furniture company

Item # : W60CMC  
Assembly Instructions

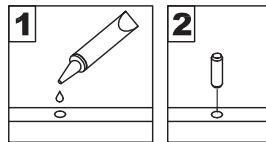


*For the most current instructions, additional assembly tips, to report damage or request parts,  
please visit our website at [www.walker-edison.com](http://www.walker-edison.com).*

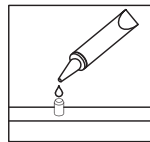
Revised 03/2018

# General Assembly Guidelines

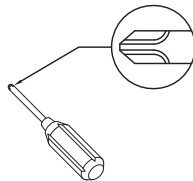
- I. Ensure that all parts and hardware are available before beginning assembly.
- II. Follow each step carefully to ensure the proper assembly of this product.
- III. Two people are recommended for ease in the assembly of this product.
- IV. The three main types of hardware used to assemble this product are : wood dowels , screws and bolts.
- V. The provided glue is to secure wood dowels in place . When first inserting dowels , locate the appropriate hole for the dowel , place a small amount of glue in the hole and insert the dowel . Wipe away excess glue immediately.



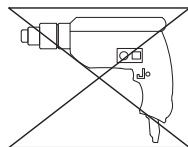
In future assembly steps when dowels are necessary to attach assembly parts together , place a small amount of glue on the end of the dowel before attaching parts together . Wipe away excess glue immediately.



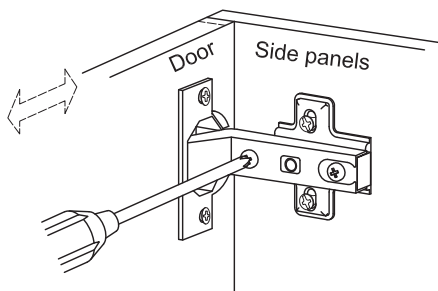
- VI. A Phillips head screwdriver is required for the assembly of this product .



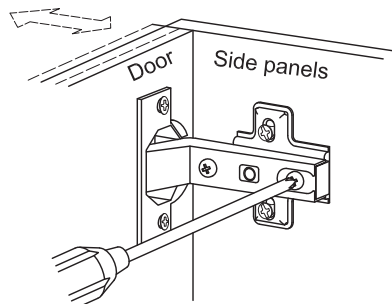
- VII. Power tools should not be used to assemble this product .



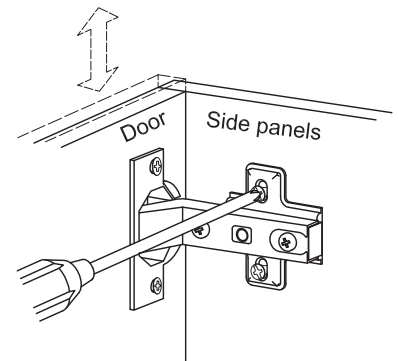
- VIII. Concealed hinges are three-way adjustable.



Horizontal  
by screw adjustment

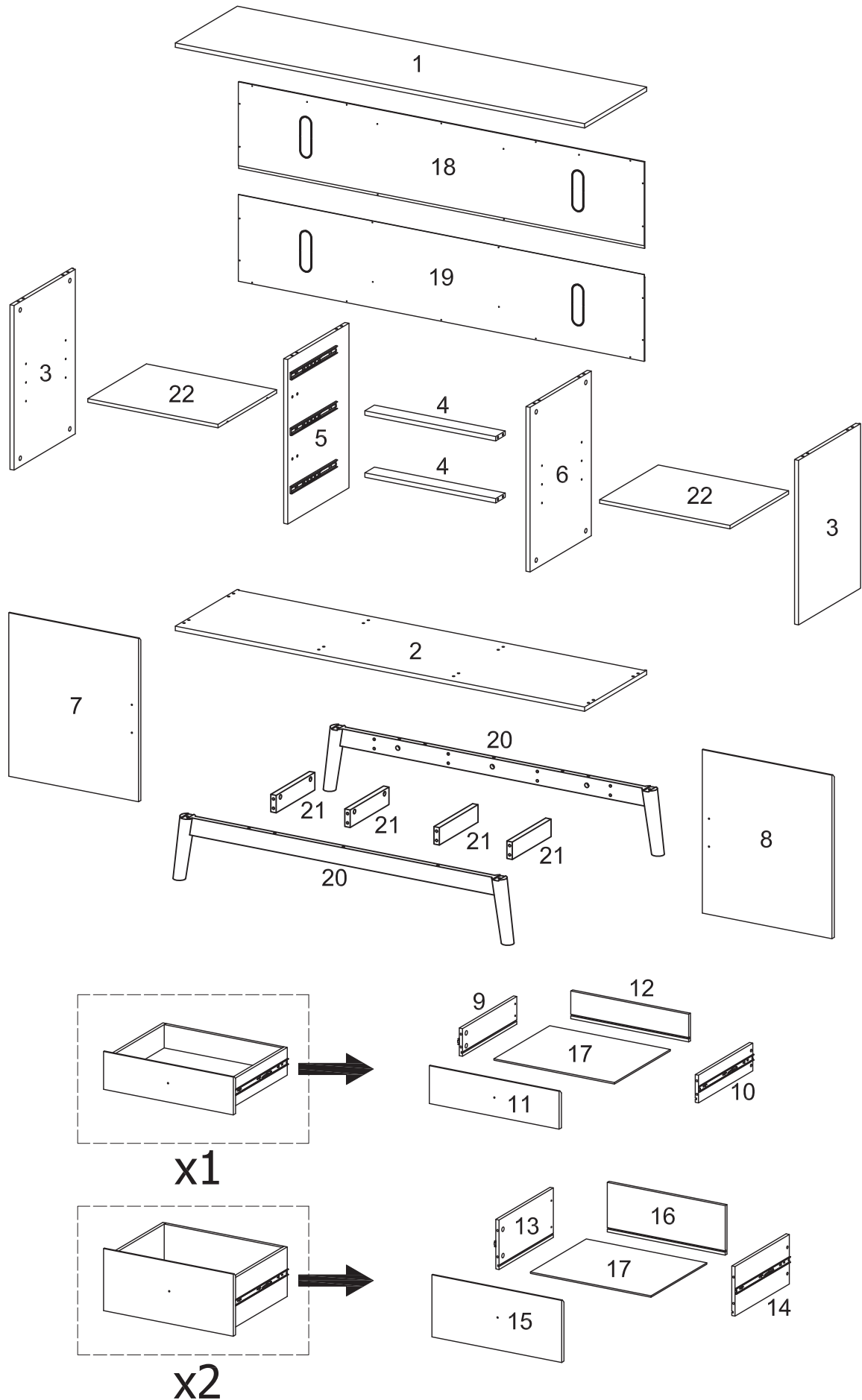


In-and-Out  
by loosening the hinge-arm  
mounting screw or via cam  
adjustment










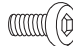


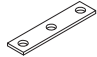
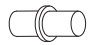
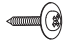
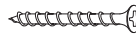


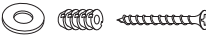
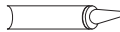


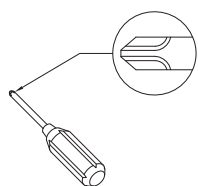
Vertical  
Via slots in the mounting  
plate or via cam adjustment

# Parts List



# Hardware List

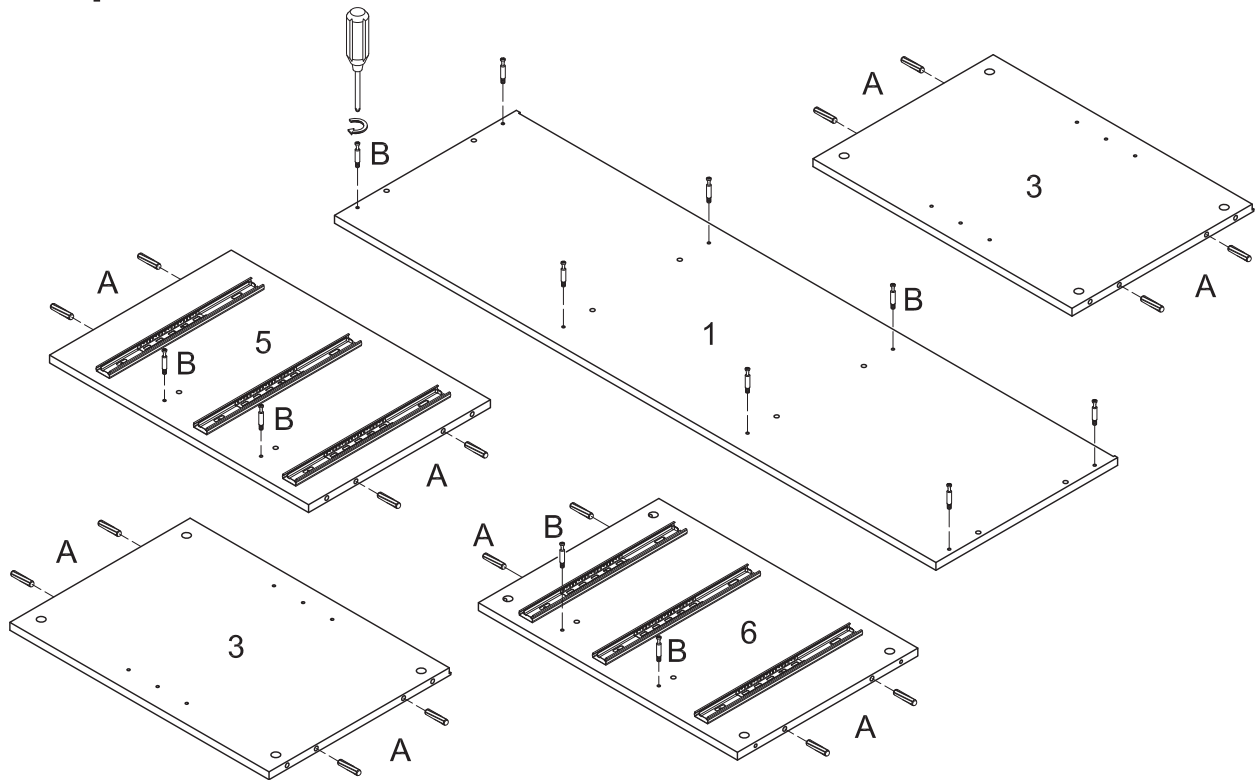
A		Ø8x30mm	Wooden dowel	32 pcs
B		Ø6x32mm	Cam bolt	46 pcs
C		Ø15x9.5mm	Cam lock	46 pcs
D			hinge	4 pcs
E		Ø4x12mm	Door hinge screw	16 pcs
F		128x33mm	Handle	2 pcs
G		Ø24x21mm	Knob	3 pcs
H		Ø4x18mm	Handle Screw	7 pcs
J		Ø6x30mm	Bolt	4 pcs
K		Ø6x15mm	Bolt	8 pcs
L			Spring washer	12 pcs
M			Washer	12 pcs
N			Locking plate	4 pcs
P		Ø5x16mm	Shelf support pin	8 pcs
Q		Ø3x12mm	Screw	26 pcs
R		Ø4x25mm	Screw	12 pcs
S		M4mm	Wrench	1 pc
T		Ø30mm	Sticker	46 pcs
U			Anti flip screw set	2 Set
V			Glue tube	1 pc



Philips head screwdriver required for assembly  
(not included)

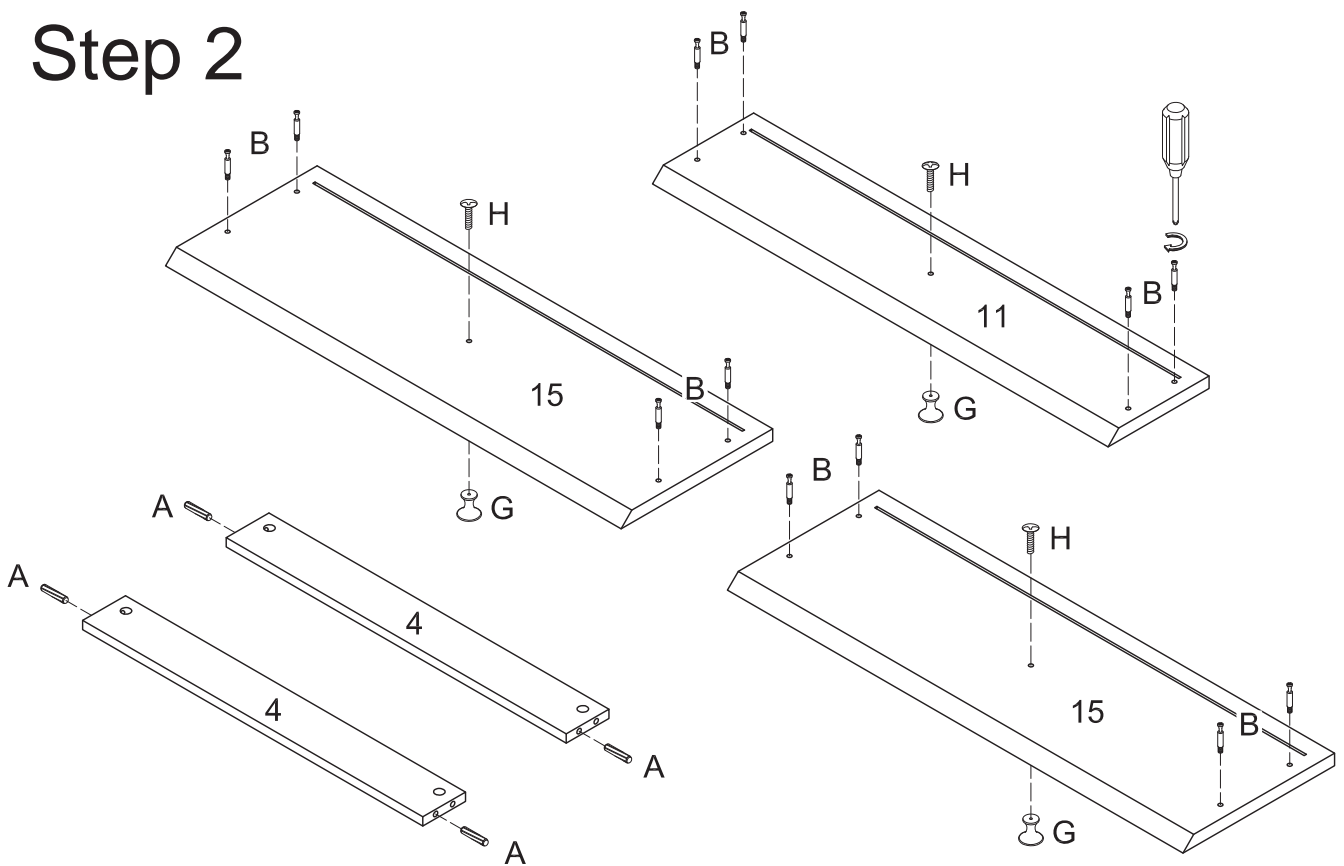
*The hardware quantities listed above are required for proper assembly.  
Some extra hardware may also have been included.*

# Step 1



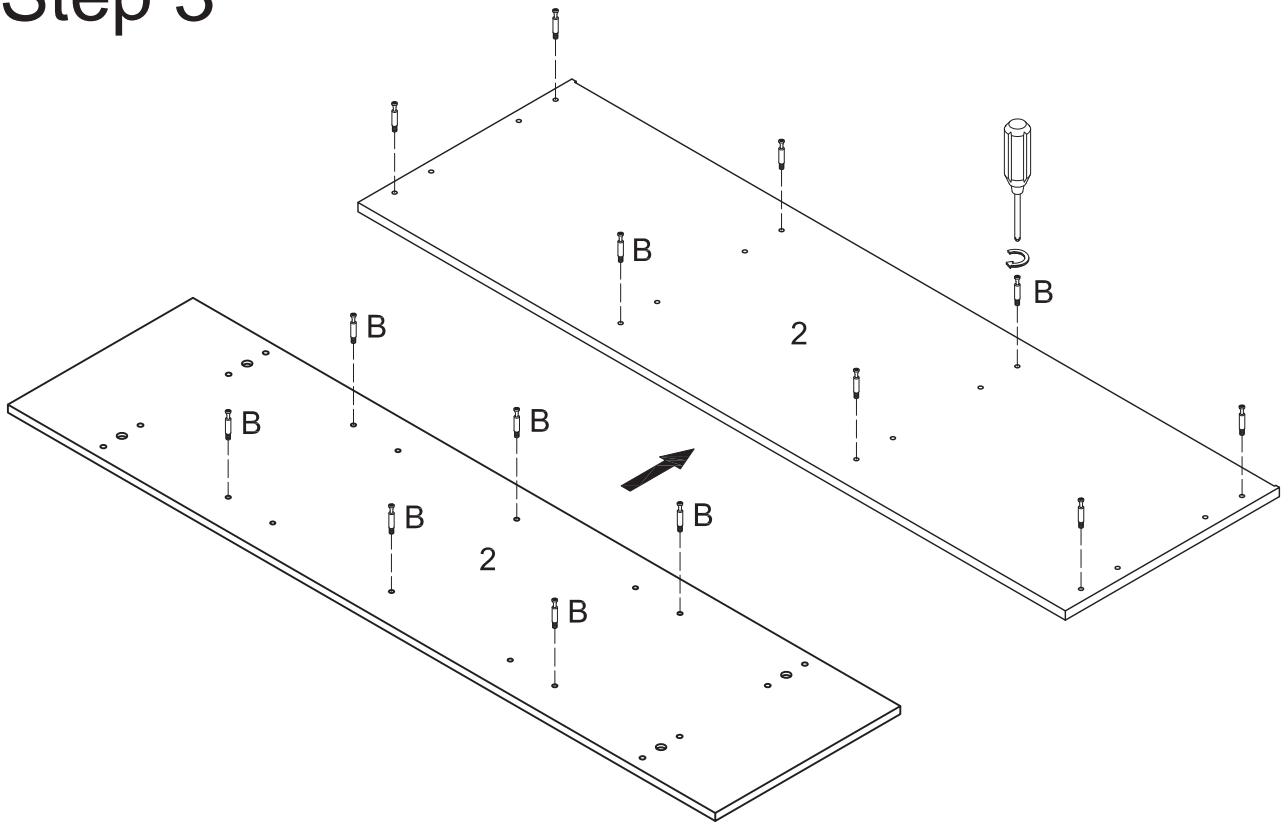
Insert wooden dowel (A) into side panels (3) and middle side panel (5,6). Secure cam bolt (B) to middle side panel (5,6) and top panel (1).

# Step 2



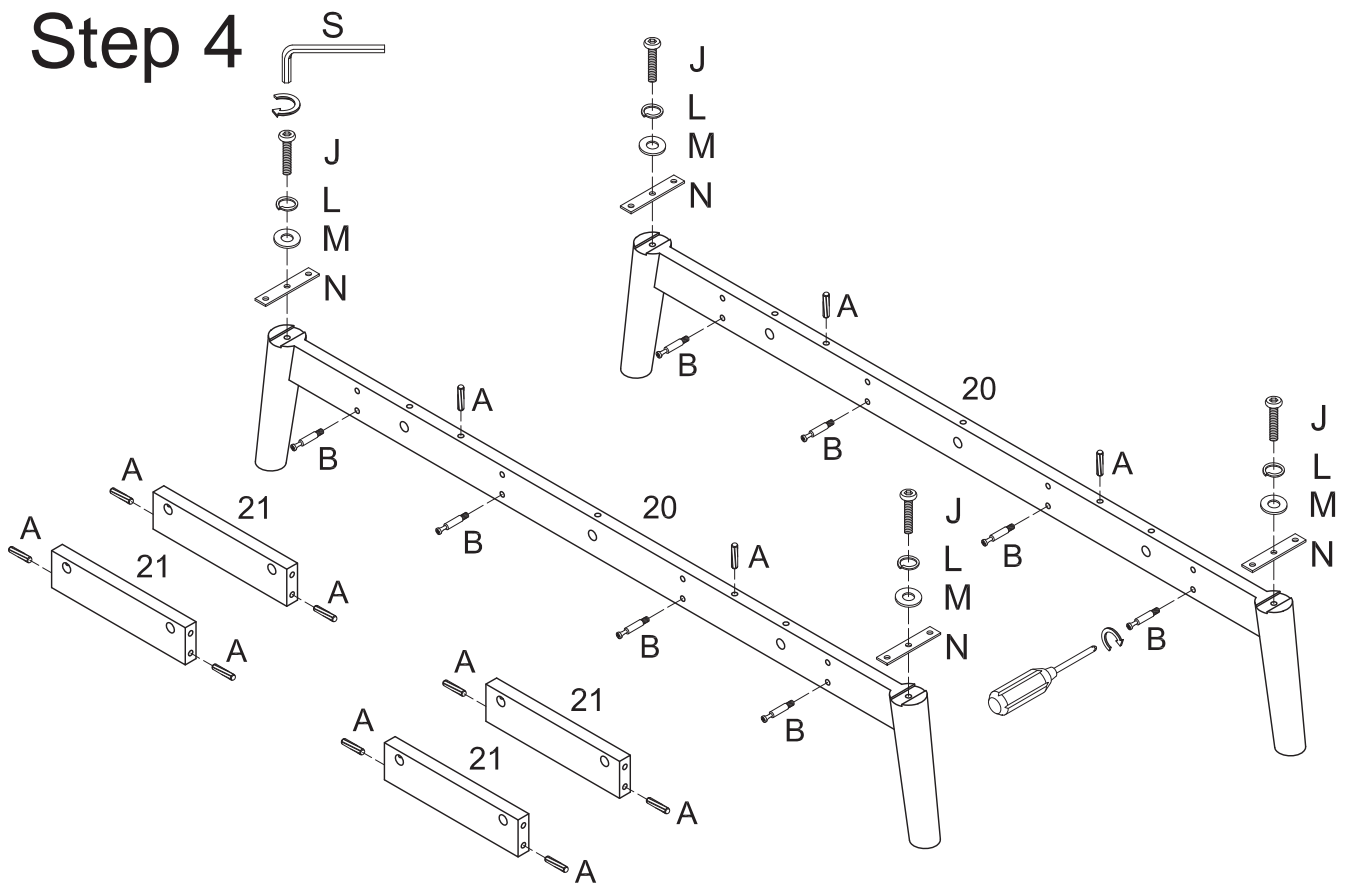
Insert wooden dowel (A) into middle cross bar (4). Secure cam bolt (B) to drawer front panels (11,15). Attach knob (G) to drawer front panels (11,15) by using handle screw (H).

# Step 3



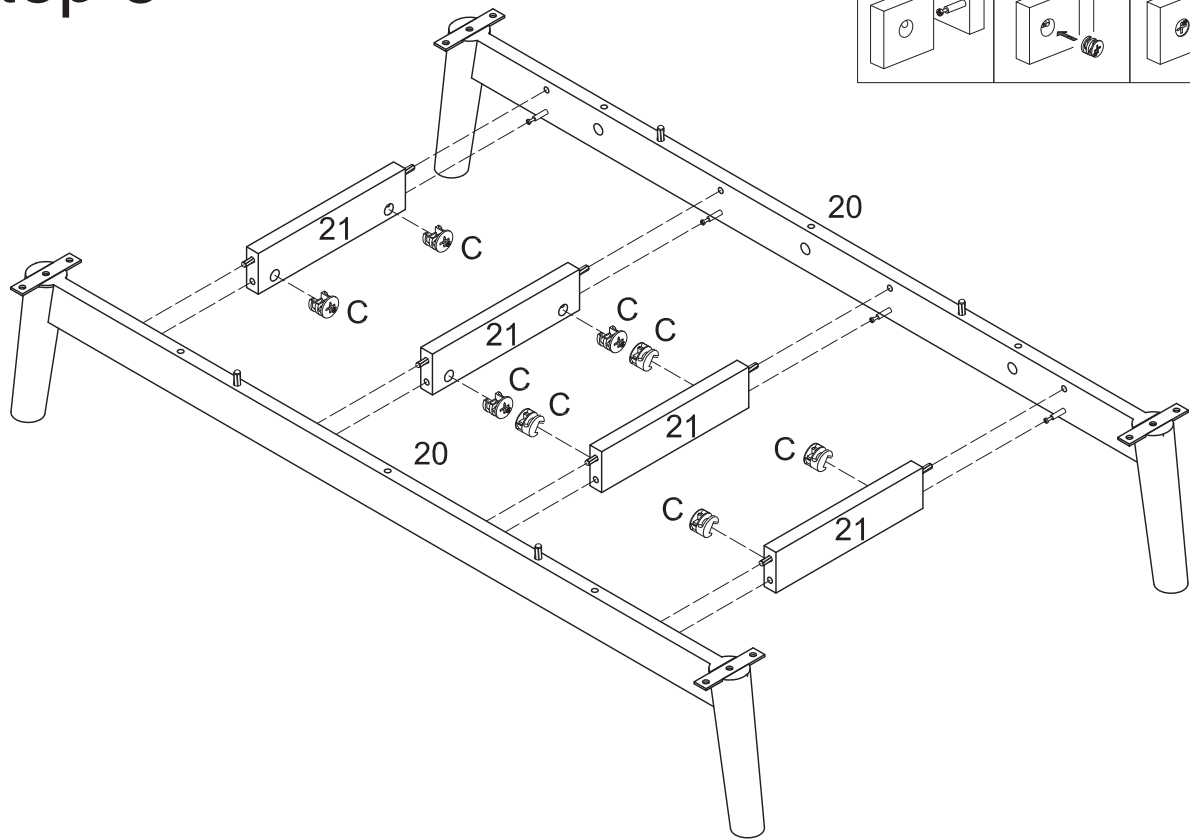
Secure cam bolt (B) to both sides of bottom panel (2).

# Step 4



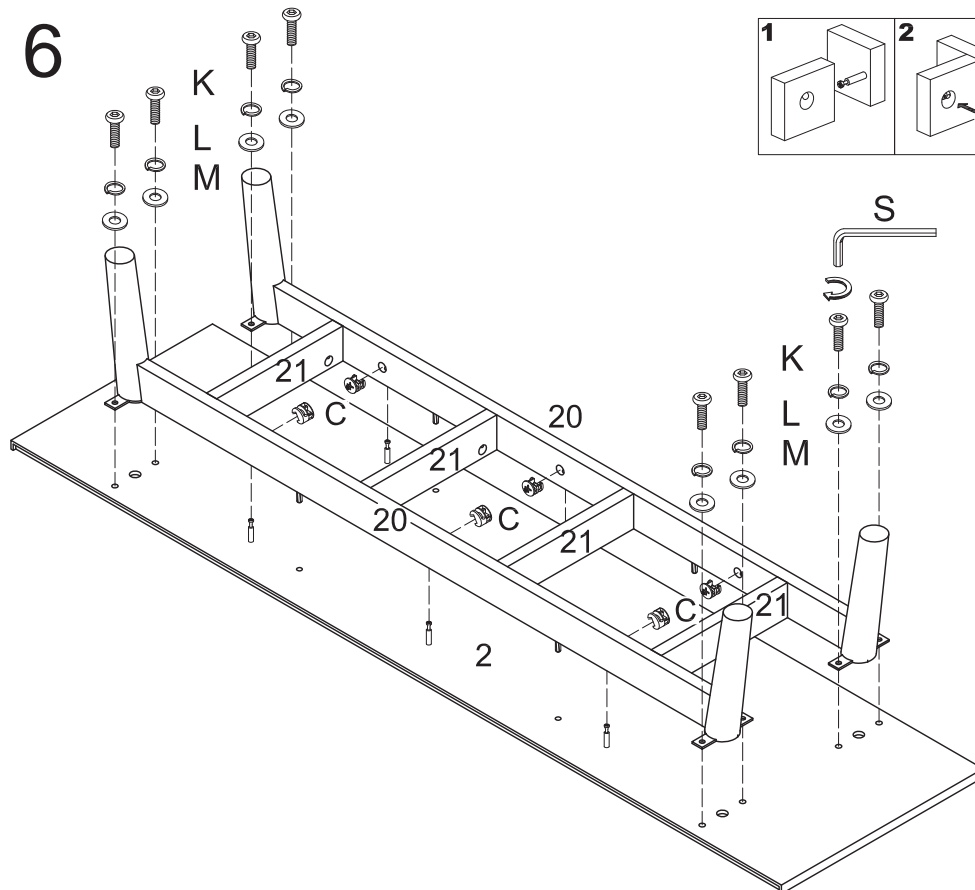
Insert wooden dowel (A) into base cross bar (21). Use wrench (S) to secure legs (20) with bolt (J), spring washer (L), washer (M), locking plate (N). Secure cam bolt (B) to legs (20).

# Step 5



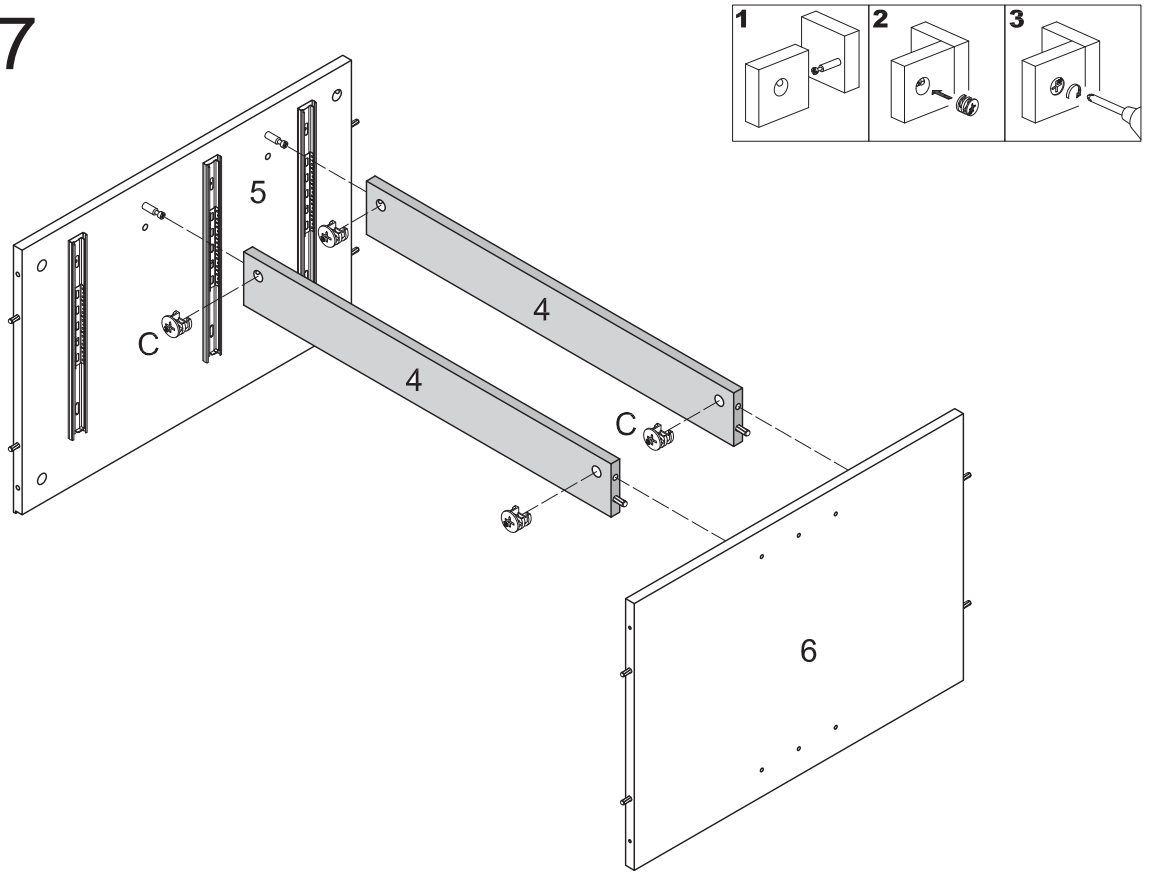
Insert the base cross bar (21) into legs (20), then insert and secure cam lock (C) into base cross bar (21) to lock it.

# Step 6



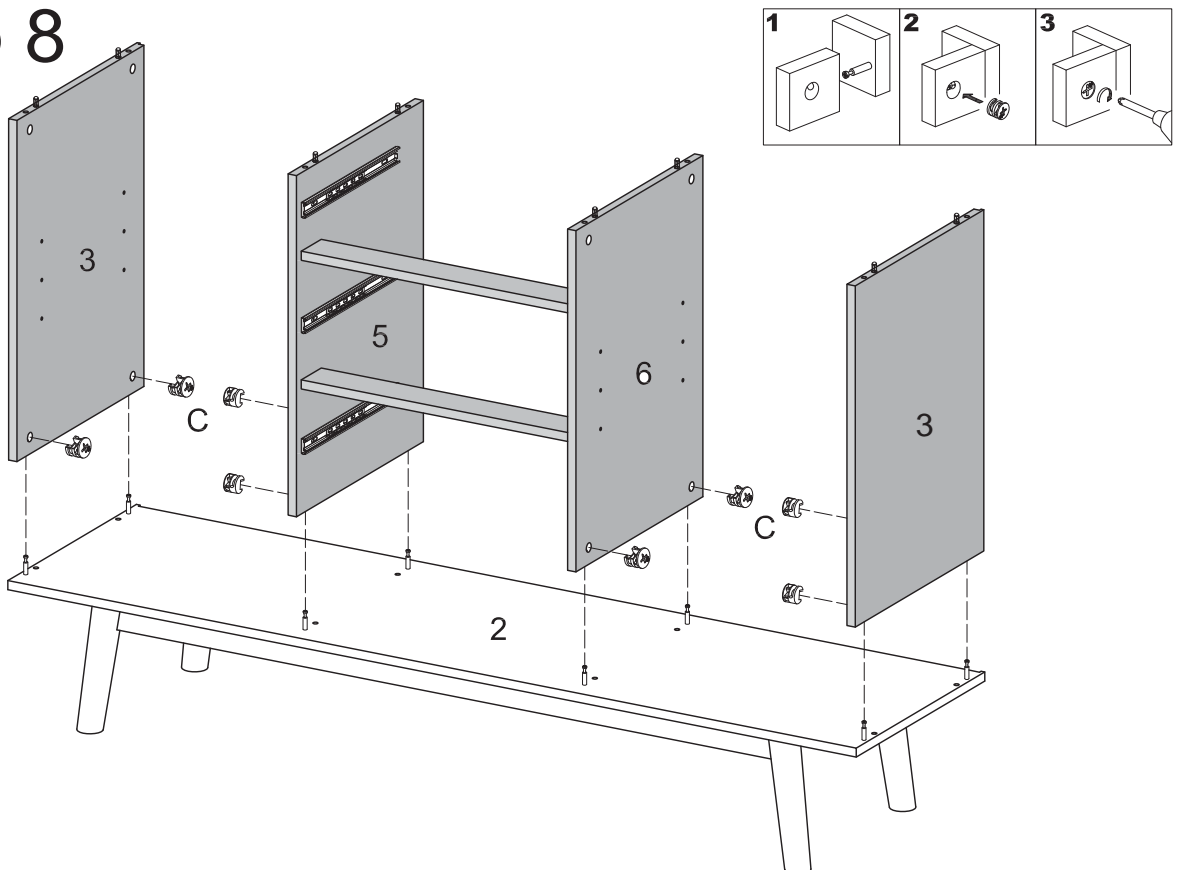
Insert the legs (20) into bottom panel (2), then insert and secure cam lock (C) into legs (20) to lock it. Use wrench (S) to secure legs (20) to bottom panel (2) with bolt (K), spring washer (L), and washer (M).

# Step 7



Insert middle cross bar into middle side panel (5,6), then insert and secure cam lock (C) into middle cross bars (4) to lock it.

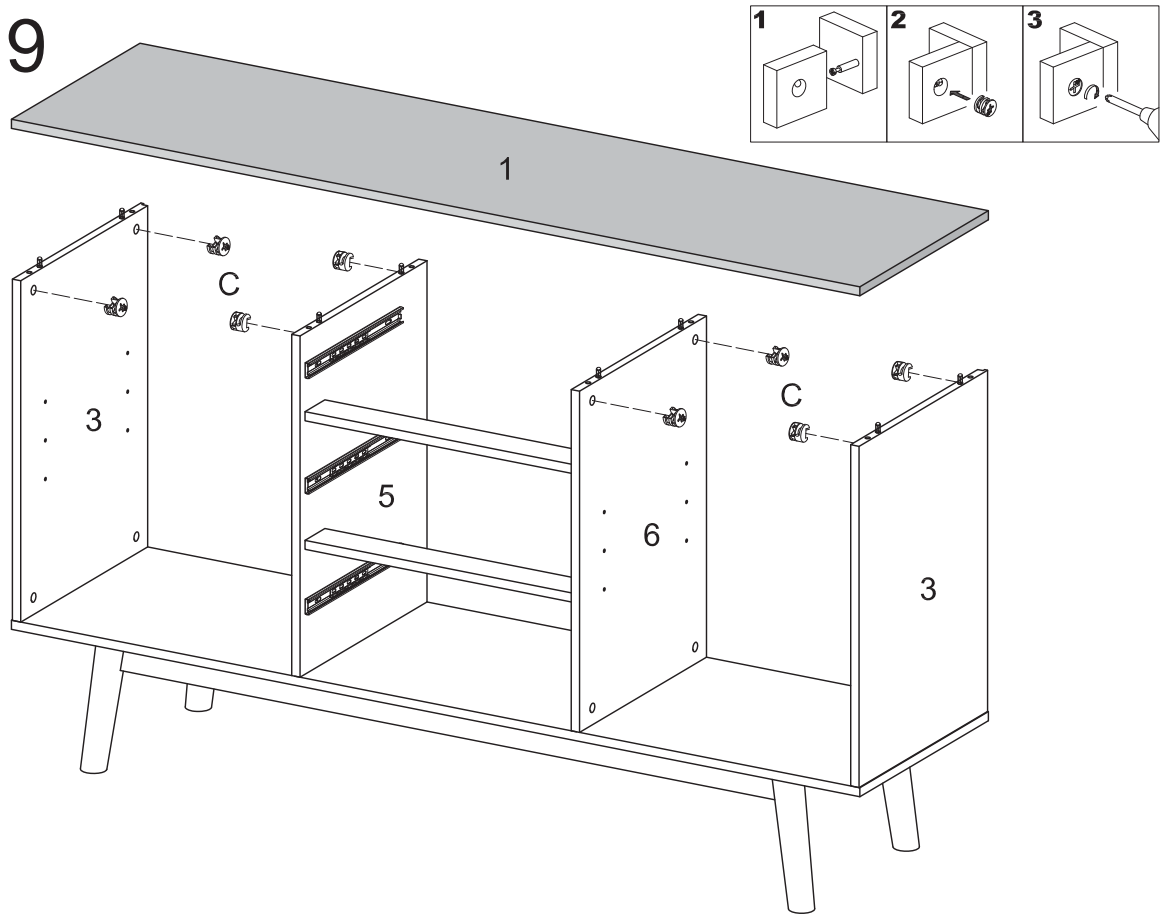
# Step 8



Insert side panels (3) and middle side panel (5,6) into bottom panel (2), then insert and secure cam lock (C) into side panels (3) and middle side panel (5,6) to lock it.

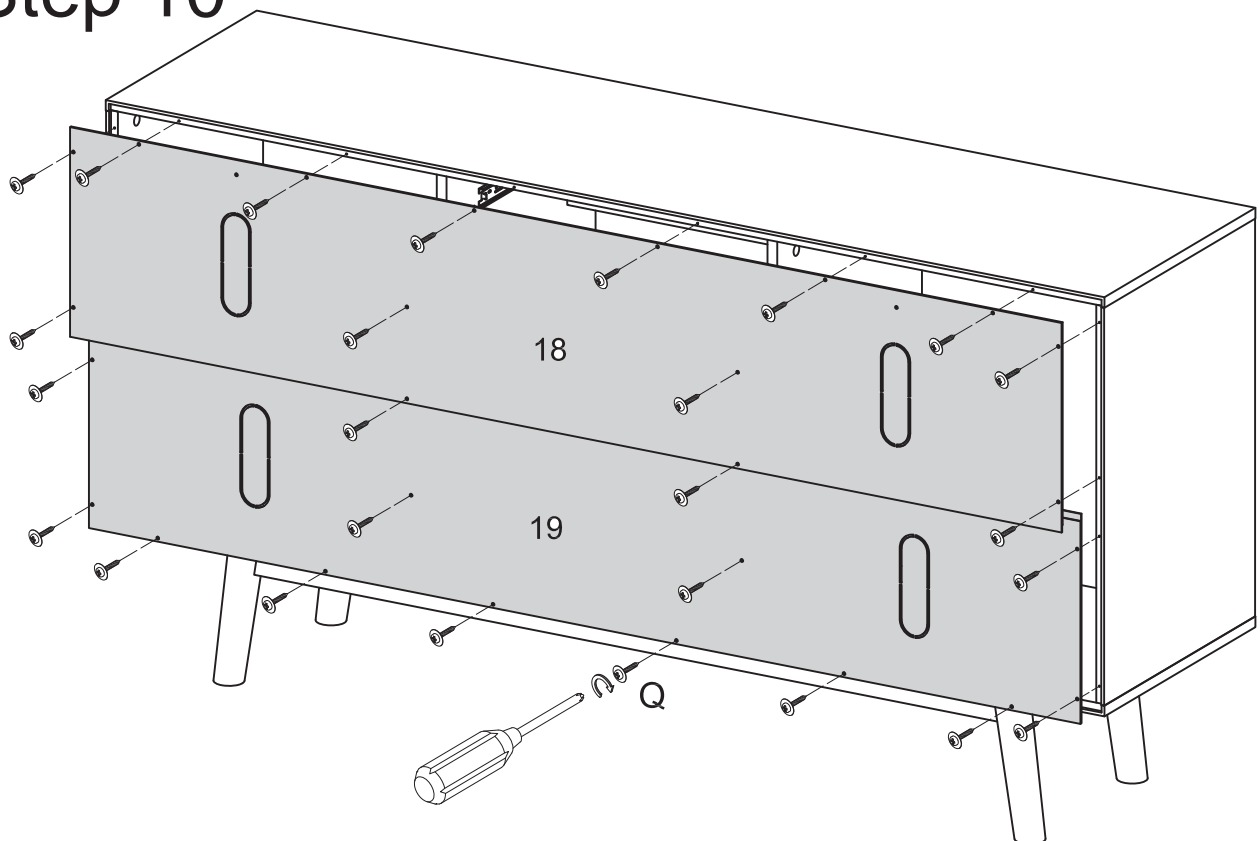


# Step 9



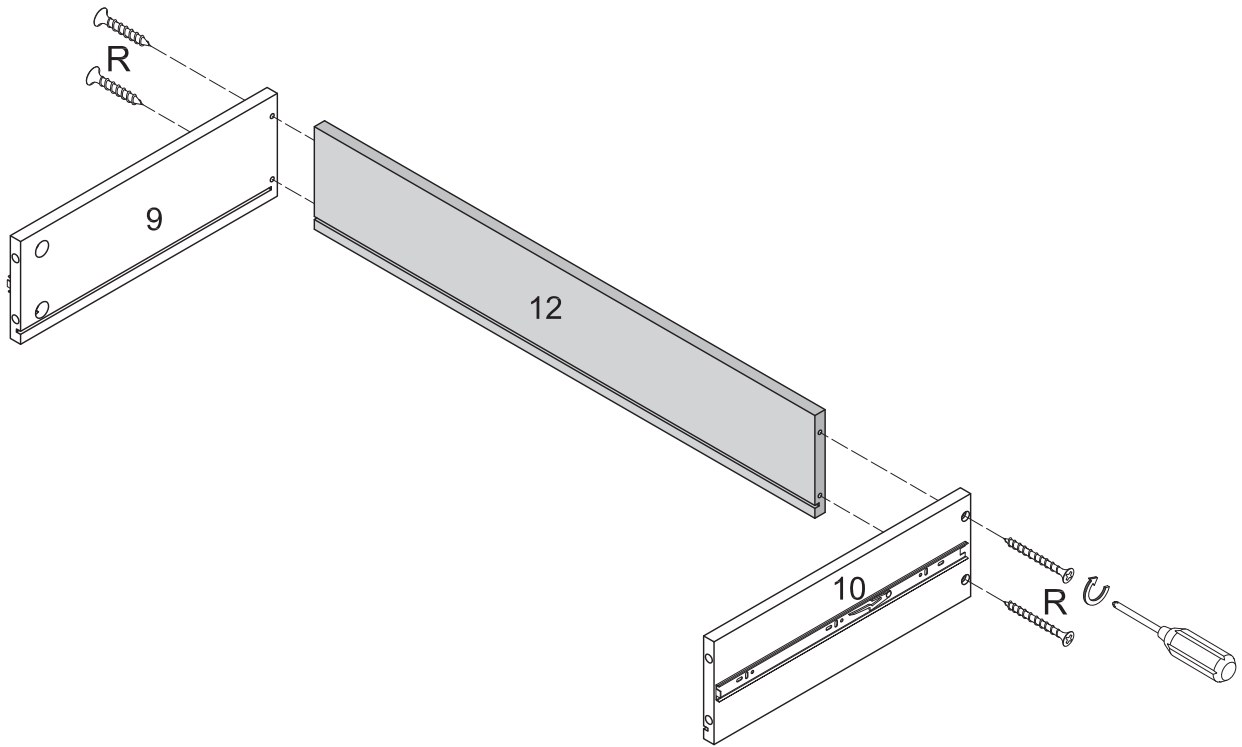
Insert the top panel (1) to side panels (3) and middle side panel (5,6), then insert and secure cam lock (C) into side panels (3) and middle side panel (5,6) to lock it.

# Step 10



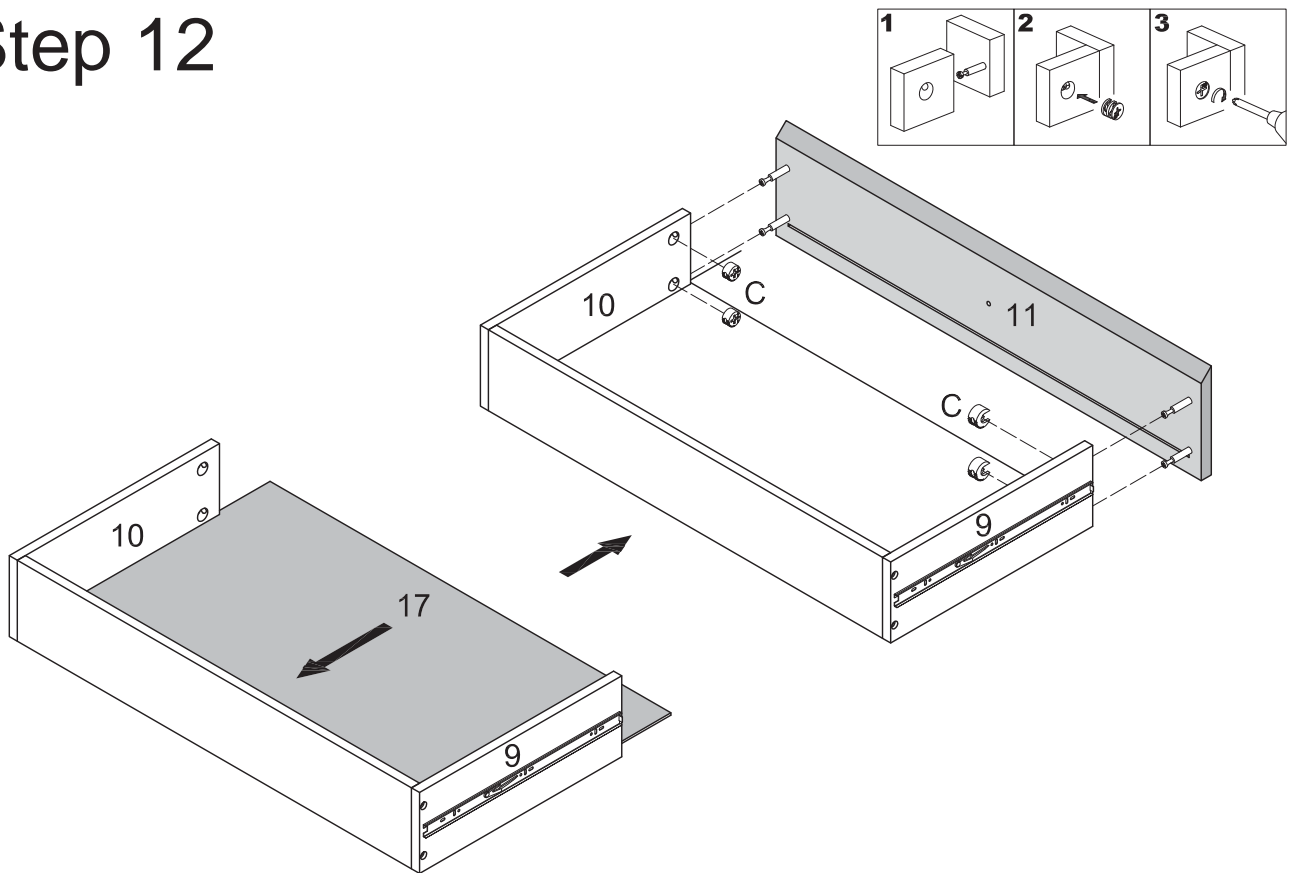
Secure back panels (18,19) with screw (Q)

# Step 11



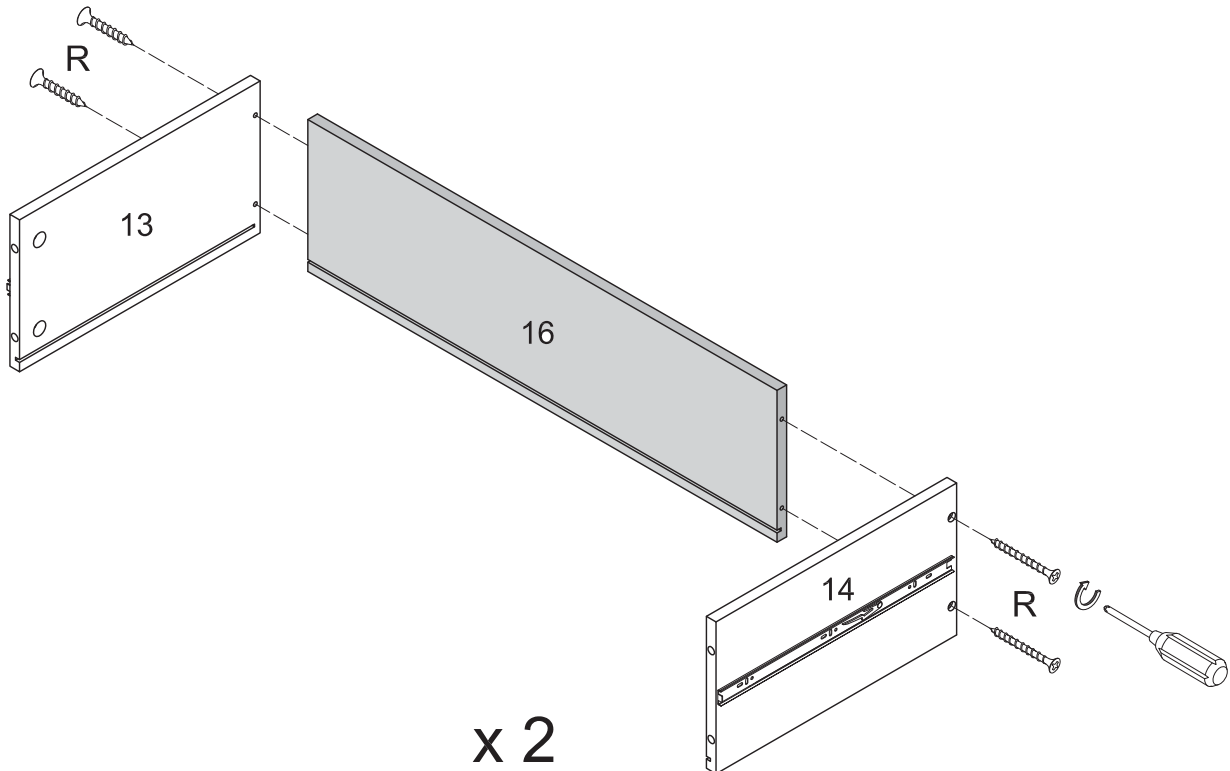
Secure drawer side panels (9,10) to drawer back panel (12) with screw (R).

# Step 12



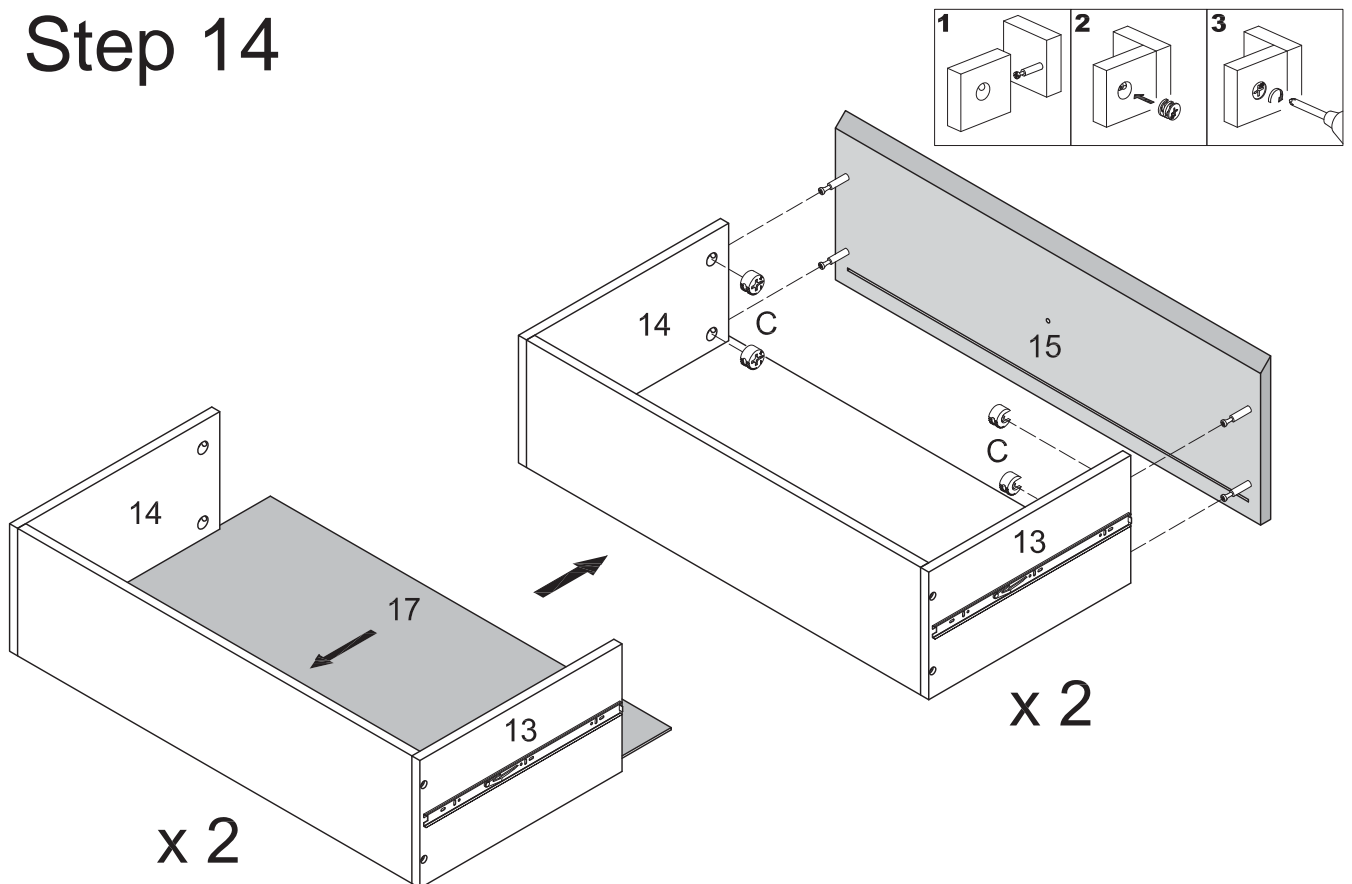
Insert drawer base panel (17) as per diagram. Insert drawer front panel (11) into drawer side panel (9,10), then insert and secure cam lock (C) to drawer side panel (9,10) to lock it.

# Step 13



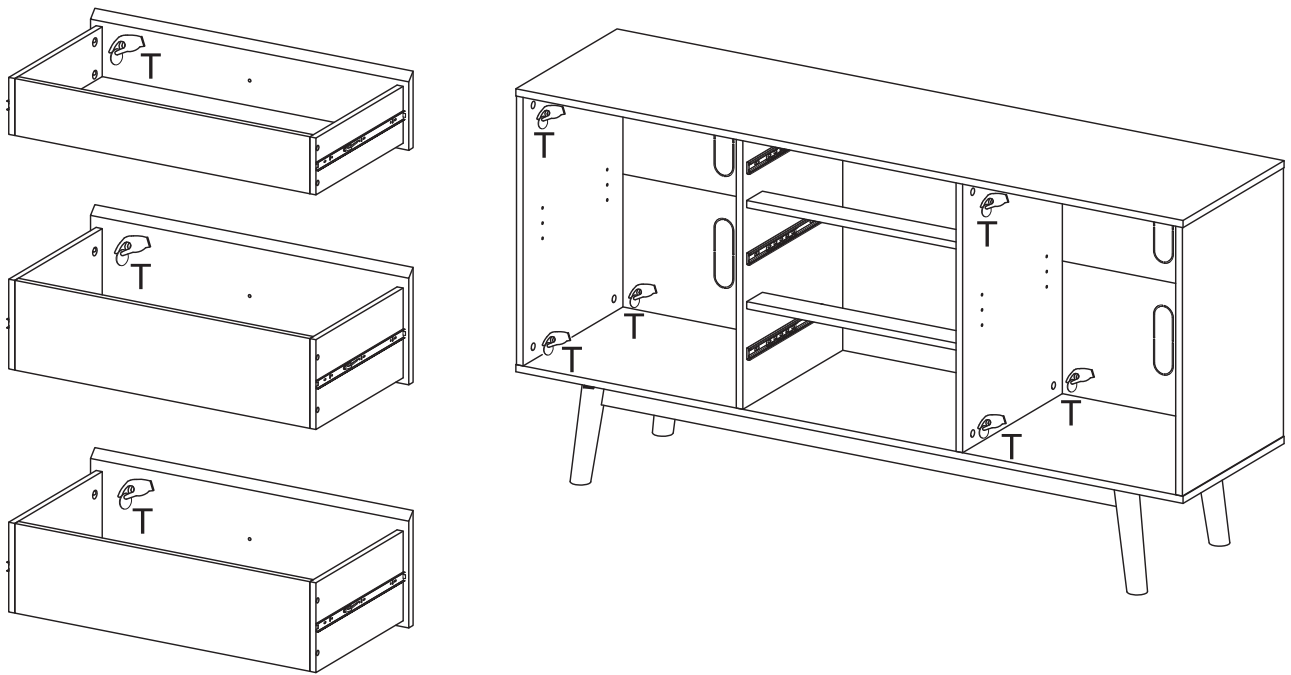
Secure drawer side panels (13,14) to drawer back panel (16) with screw (R).

# Step 14



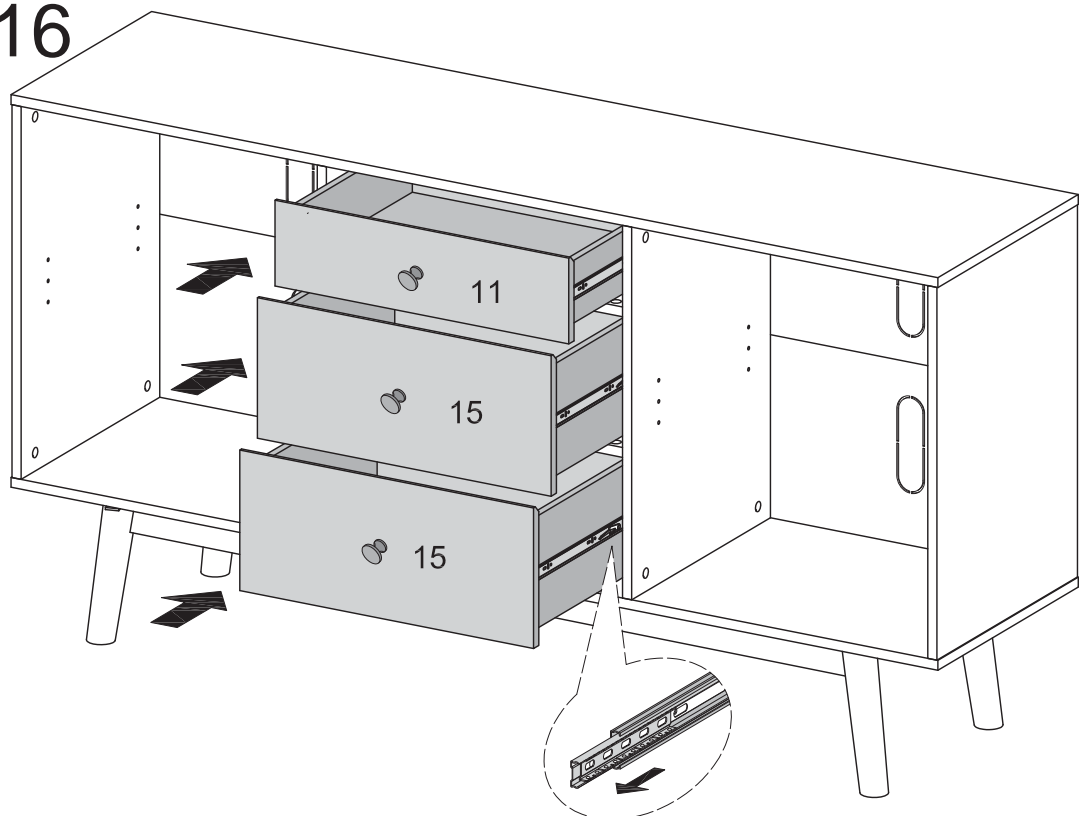
Insert drawer base panel (17) as per diagram. Insert drawer front panel (15) into drawer side panel (13,14), then insert and secure cam lock (C) to drawer side panel (13,14) to lock it.

## Step 15



Place sticker (T) over holes inside drawers as per diagram.

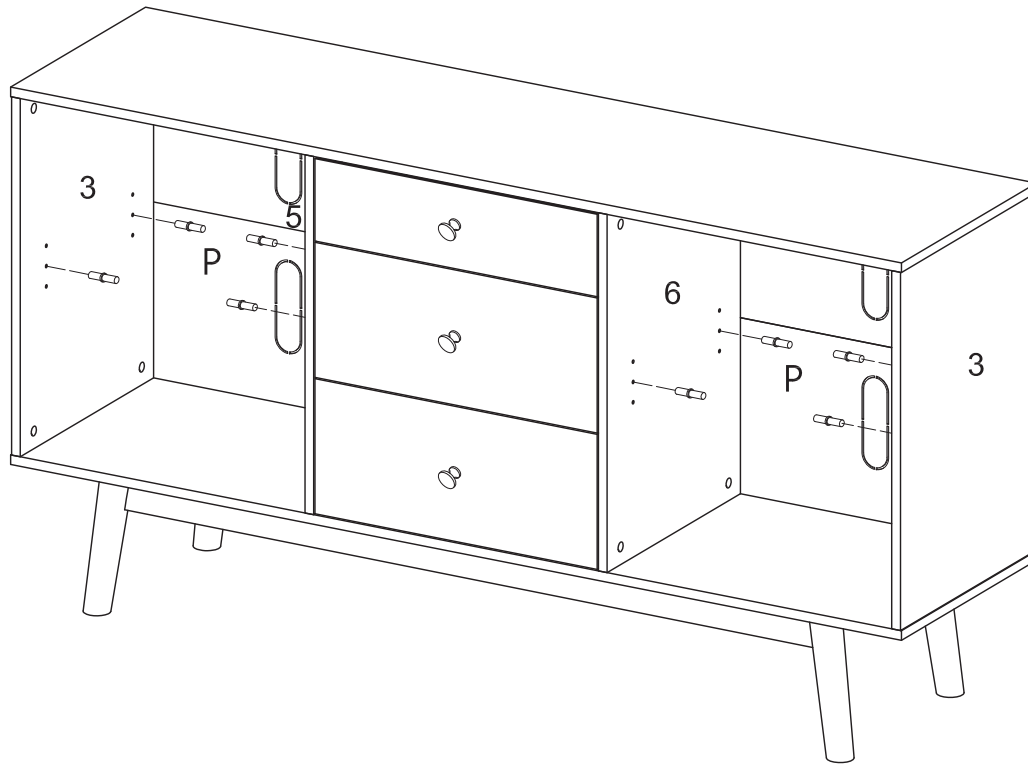
## Step 16



The iron ball moved to the outside,  
and then inserted into the drawer rail!

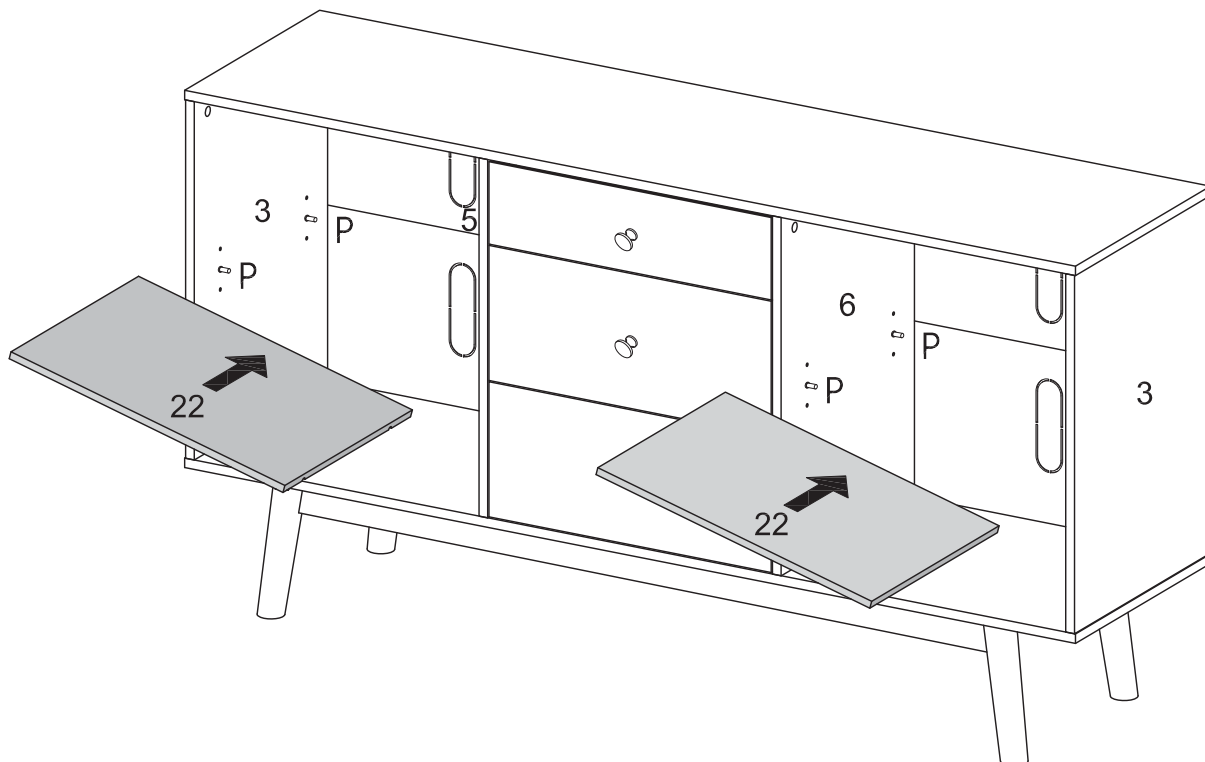
Insert the drawer (11,15) carefully as per diagram.

## Step 17



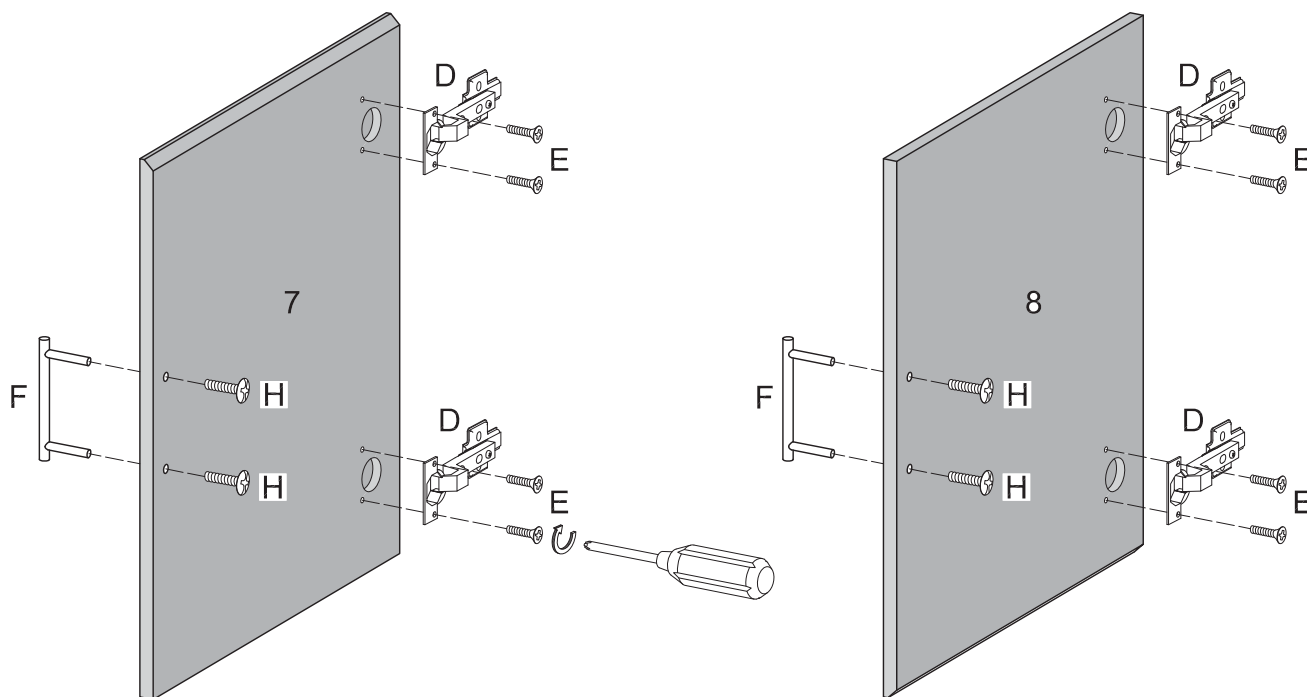
Insert shelf support pins (P) into side panels (3) and middle side panel (5,6).

## Step 18



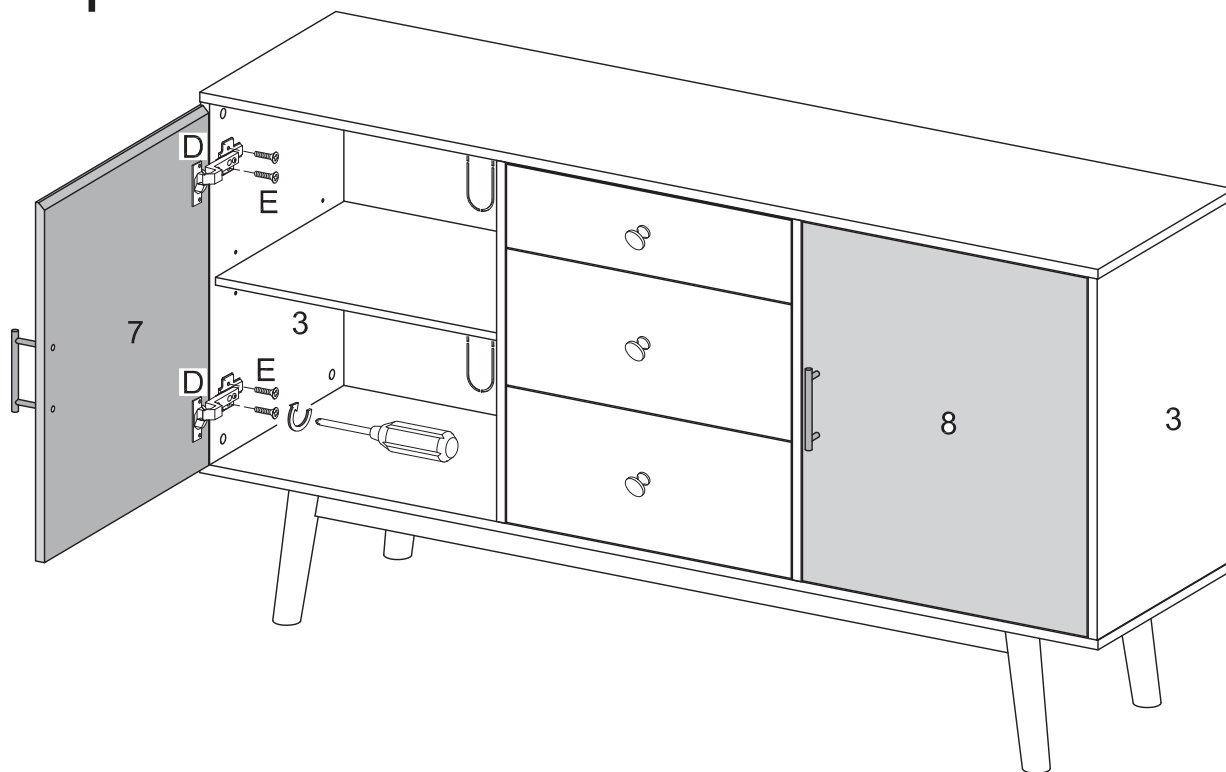
Place shelves (22) on top of the support pins (P).

## Step 19



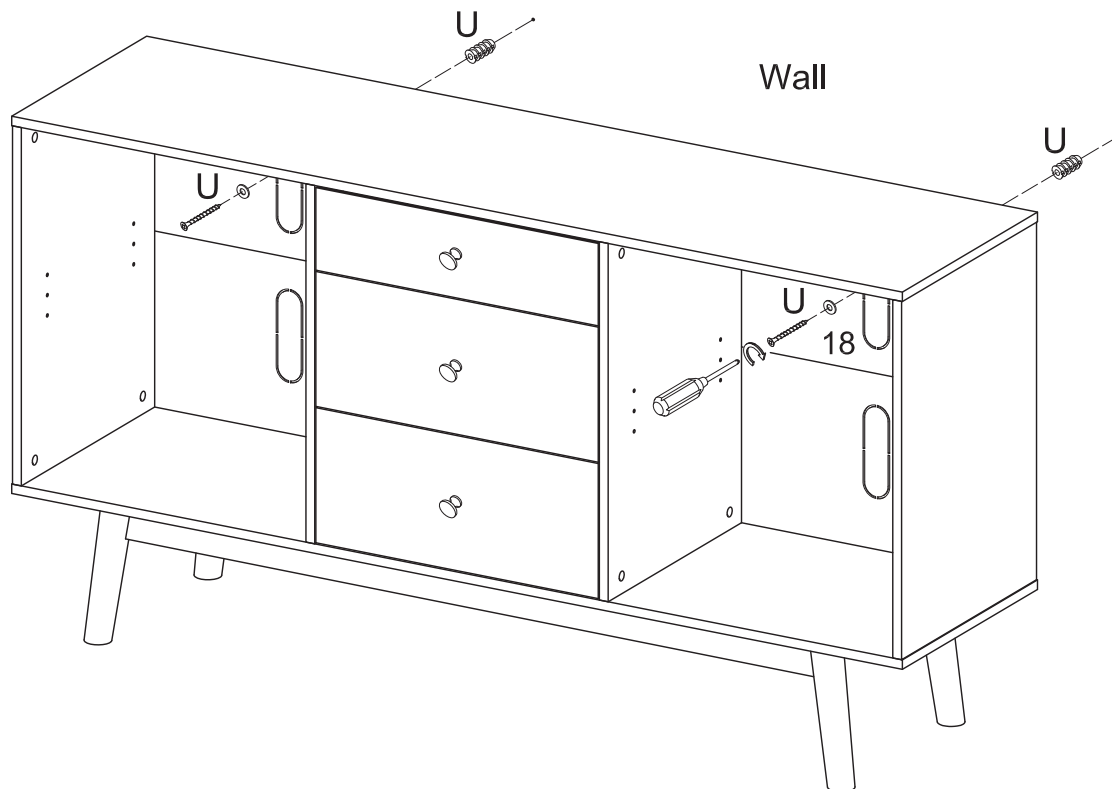
Attach handle (F) to door (7,8) with handle screw (H). Secure hinge (D) to door (7,8) with door hinge screws (E).

## Step 20



Secure hinge (D) and door (7,8) to side panels (3) with door hinge screw (E).

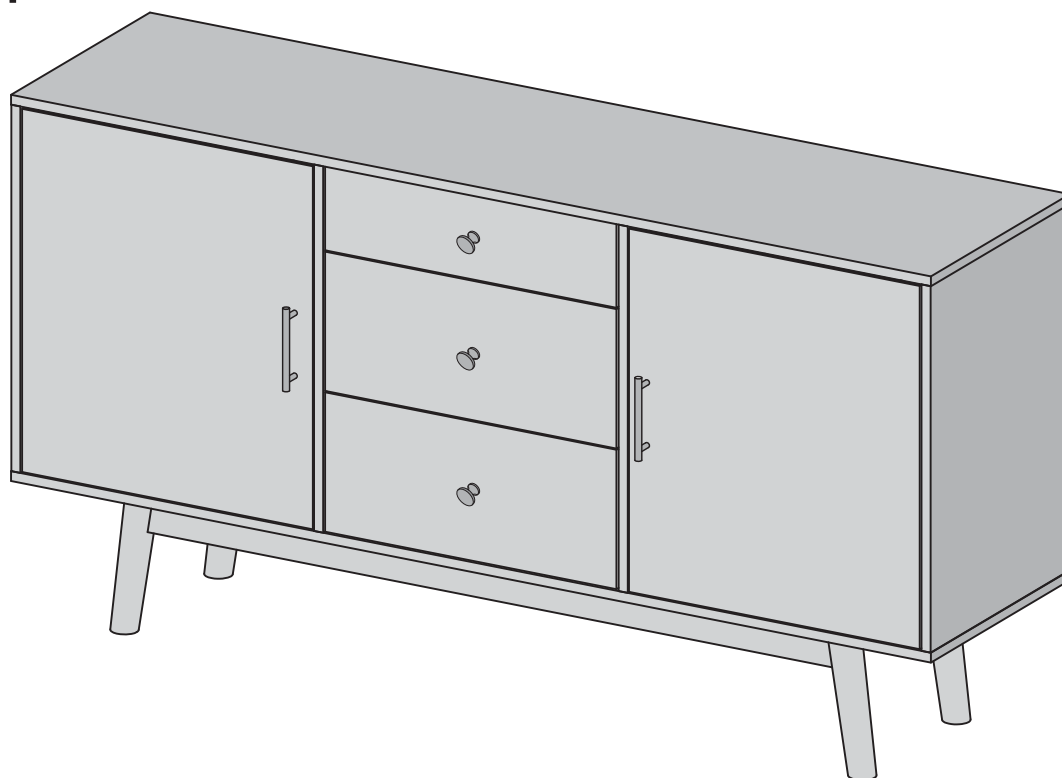
## Step 21



### Options

For security, please remove the drawers and doors and using the Anti-Flip screw (U) set to secure the console against the wall.

## Step 22



## Final Assembly